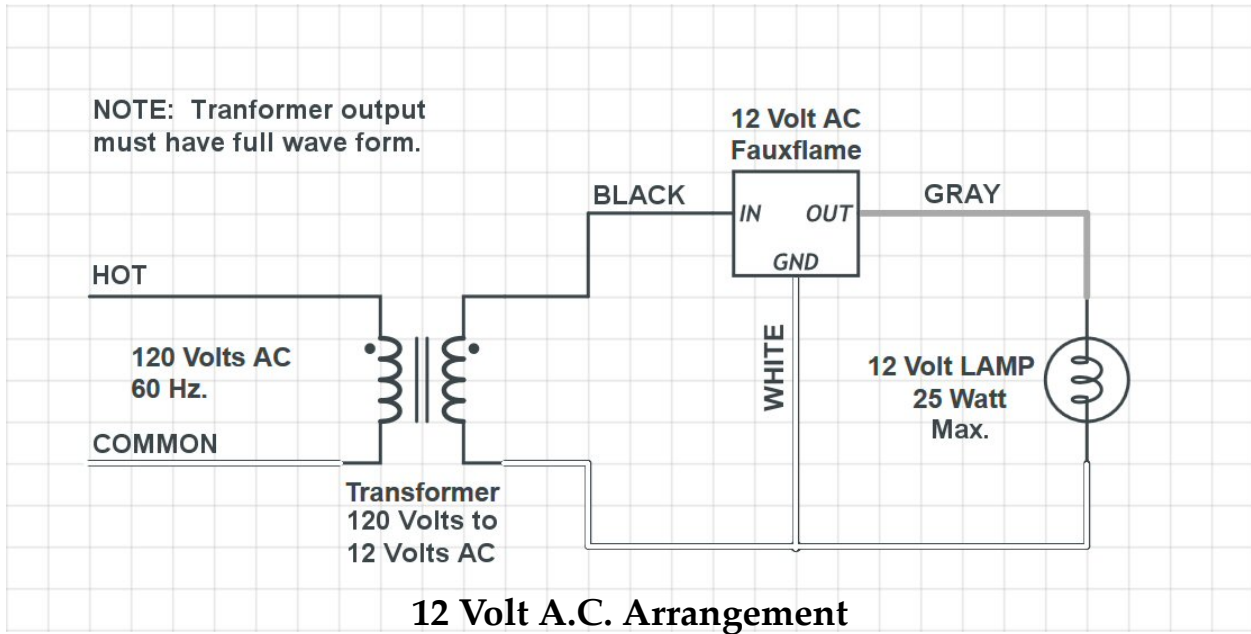
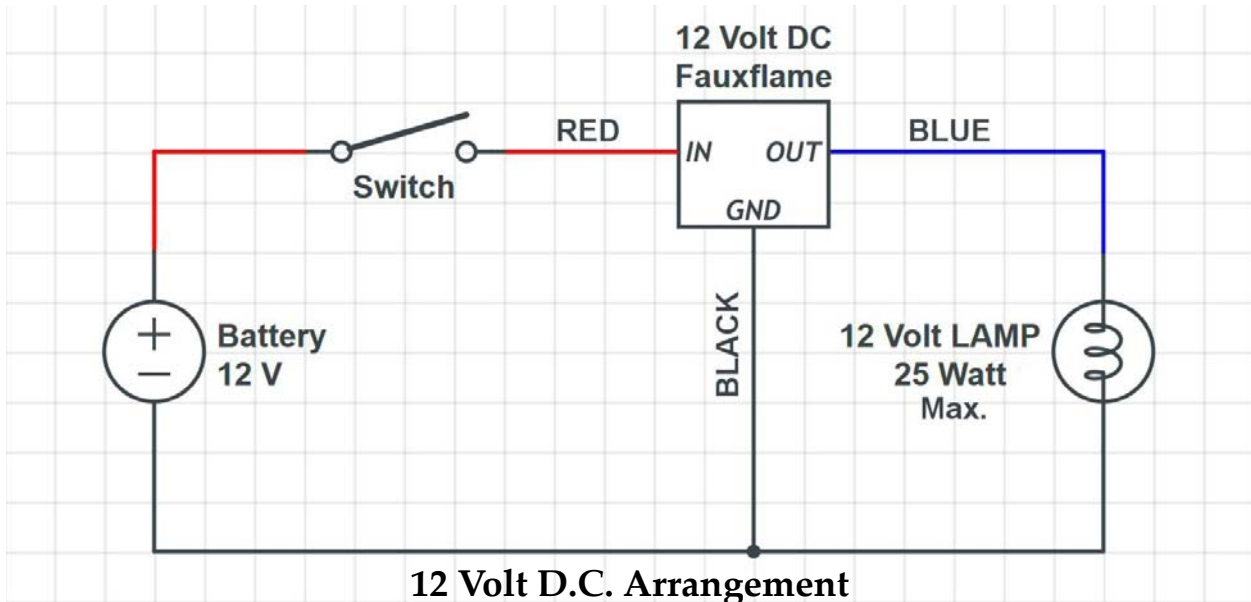




Typical 12 Volt Wiring Schematics



WARNINGS

- Do not connect the Fauxflame module to reversed polarity or improper Voltage, damage will result.
- Do not exceed the maximum Wattage rating.
- Do not install the Fauxflame module where subject to temperatures above 110 degrees Fahrenheit.
- Do not connect the Fauxflame module to an external dimmer.
- Do not use the Fauxflame module with fluorescent light bulbs